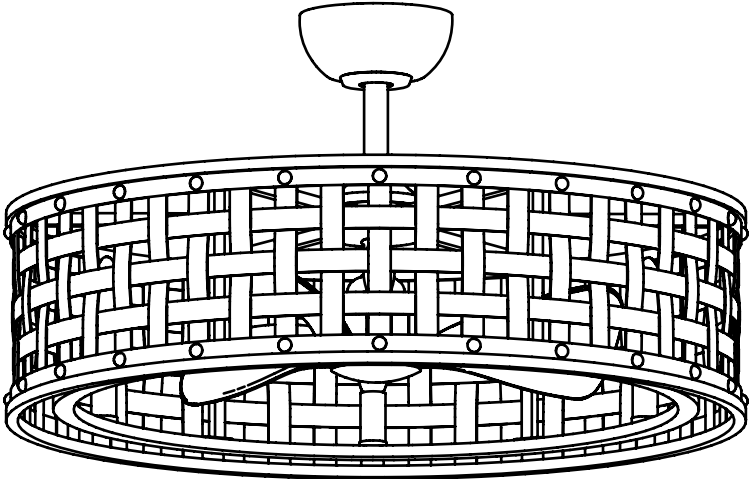


Owners Manual



**MODEL: ART
NOVA**

WARNING: Read and follow these instructions carefully and be mindful of all warnings shown throughout.

SAFETY INSTRUCTIONS

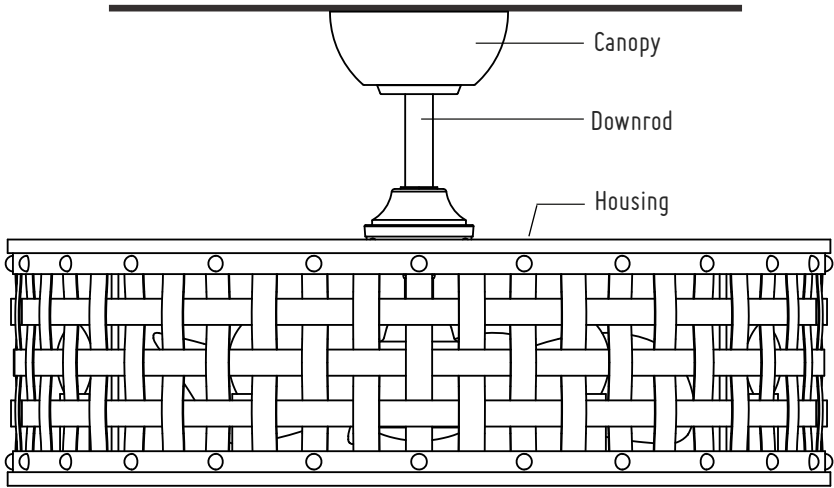
To reduce the risk of fire, electrical shock, or injury to persons, please observe the following:

1. Read all instructions and safety information before installing. This manual is not intended to instruct or assist untrained or unqualified persons. It is the responsibility of qualified, licensed installer, and user to apply common sense and care at all times during installation and operation.
2. This appliance is not intended for use by children or persons with reduced physical, sensory or mental capabilities, or lack of experience and knowledge, unless they have been given supervision or instruction concerning use of the appliance by a person responsible for their safety.
3. To avoid possible electric shock, be sure electricity is turned off at the main power box before wiring. Make sure electrical voltage and frequency is within the control capacity range.
4. Please make sure the location has stable power supply, with temperatures between 10°C to 40°C and that the ceiling fan is not exposed to direct sunlight, humidity, or wind blow over a long period of time.
5. Ceiling fan must be installed at least 2.5 meters above the floor. Make sure that your installation area will not allow rotating fan blades to come in contact with any object when fan is in operation.
6. The mounting bracket must be firmly screwed to a strong ceiling support such as a concrete ceiling, steel structure, or a timber frame. If additional timber frames are to be added, those must be securely nailed or screwed between the beams. All support must be able to withstand motion of the moving fan and weight of at least 120 kg.
7. For safety regulation, the safety cable must be secured firmly with the mounting bracket or with a separate anchor bolt with hook, which must be able to withstand motion of the moving fan and weight of at least 120 kg.
8. After fan is completely installed, check to make sure that all connections are secured to prevent fan from falling and/or causing damage or injury. Refrain from using product in case of abnormalities, stop operation immediately and contact MR.KEN service center for help and support.
9. Condition of the ceiling fan, including all parts and suspension/support system, should be checked annually by qualified technicians or authorized personnel. Any alterations or replacements of any parts of the product must only be carried out by authorized personnel by MR.KEN service center.
10. Maintenance and cleaning of the ceiling fan should be carried out annually by qualified technicians or authorized personnel to ensure the normal functioning and prevention of damage to fan motor. Please exercise caution when cleaning so as to not cause bending of the blades, as it may result in damage or breakage of the product. Do not soak or expose product to chemical solvents that could cause discoloration or deformation of the product. Please contact MR.KEN service center for customer support and inquiries.

⚠ **WARNING:** This product is designed to use with only those parts supplied with this product and/or accessories designated specifically for use with this product. Using parts and/or accessories not designated for use with this product could result in personal injury or property damage.

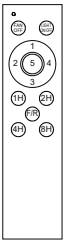
⚠ **WARNING:** The company will not be responsible for any accidents and injuries caused by incorrect installation or modification that is not instructed by this manual.

PARTS LIST



Transmitter Kit

Transmitter



Transmitter Holder



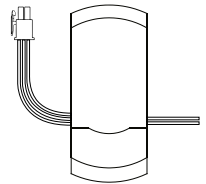
Battery



Wall Screw x 2



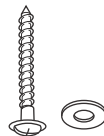
Controller



Assembly Kit

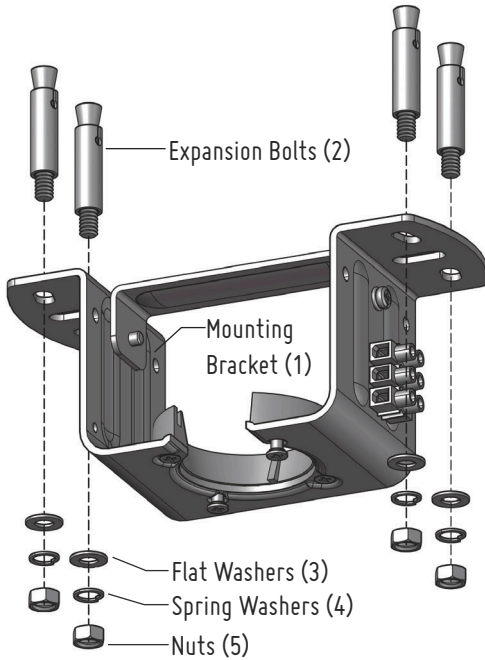


Expansion Bolt x 4



Self Tapping Screw & Washer x 4

1. HANGING SYSTEM INSTALLATION

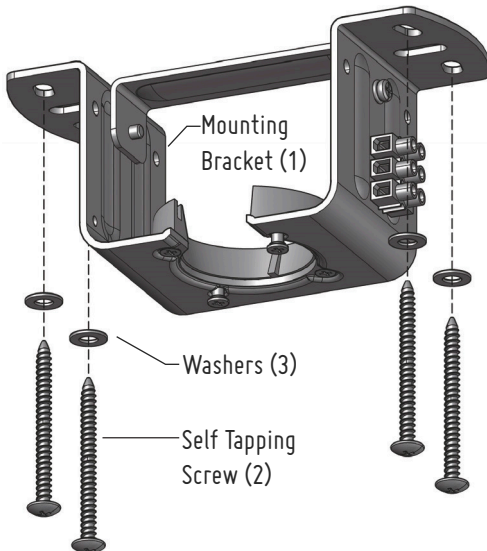


STEP 1A – CONCRETE CEILING

SWITCH OFF THE ELECTRICAL MAINS AT THE CIRCUIT BREAKER FUSE BOX.

- 1) Use the Mounting Bracket (1) as a guide, mark the spots where the 4 Expansion Bolts (2) will be drilled.
- 2) Remove the Mounting Bracket (1), drill 4 holes and insert 4 Expansion Bolts (2) into the concrete ceiling, install the mounting bracket and secure with Flat Washers (3), Spring Washers (4) and Nuts (5).

IMPORTANT : SCREWS & NUTS MUST BE TIGHTENED TILL SNUG



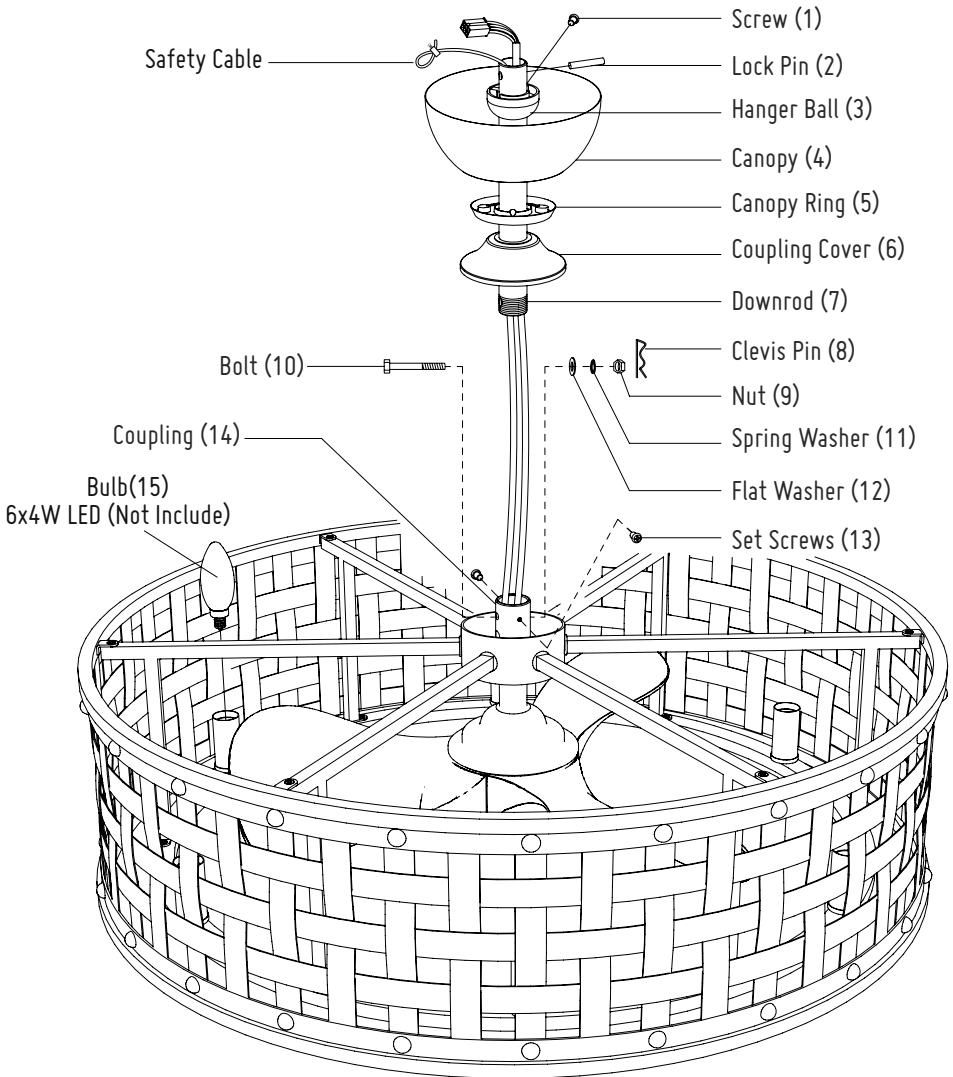
STEP 1B – WOODEN CEILING

SWITCH OFF THE ELECTRICAL MAINS AT THE CIRCUIT BREAKER FUSE BOX.

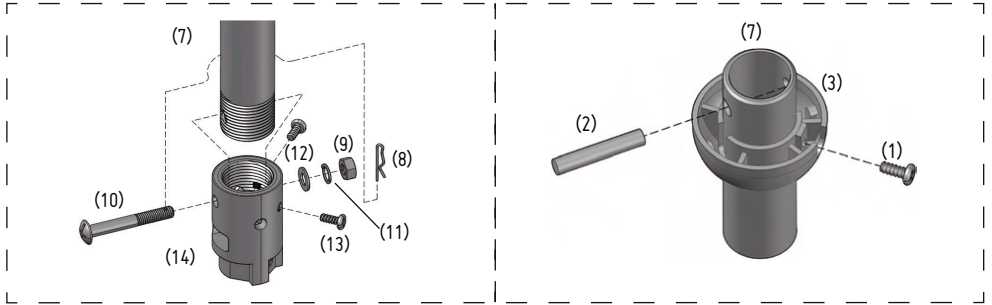
- 1) Use the Mounting Bracket (1) as a guide, mark the spots where the 4 Self Tapping Screws (2) will be drilled.
- 2) Remove the Mounting Bracket (1), drill 4 holes for 3MM diameter, install the mounting bracket onto wooden ceiling with the 4 Self Tapping Screws (2) & Washers (3).

IMPORTANT : SCREWS MUST BE TIGHTENED TILL SNUG

2. INSTALLATION



- 1) Remove the Clevis Pin (8), Nut (9), Spring Washers (11), Flat Washers(12) & Bolt (10) on Coupling (14).
- 2) Loosen the Screw (1) from Hanger Ball (3), remove the Hanger Ball (3) and Lock Pin (2).
- 3) Route the wires and safety wire from the motor through the Downrod (7).
- 4) Install the Downrod (7) to Coupling (14) and secure with Bolt (10) , Flat Washer (12), Spring Washer (11), Nut (9) & Clevis pin (8).
- 5) Tighten the 2 Set Screws (13) on the Coupling (14) to serve as a clamping force on the Downrod (7) to prevent fan shaking during operation.



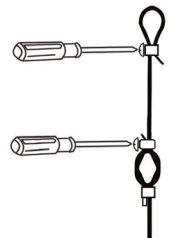
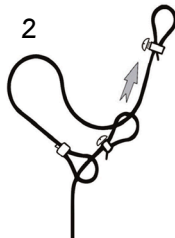
- 6) Route the Coupling cover (6), Canopy Ring (5), Canopy (4) and Hanger Ball (3) through the Downrod (7) in turn, and then install the Lock pin (2) through the hole on the Downrod (7). Slip the hanger ball (3) upward to lock Pin (2), and fix it by Screw (1), then slip down the Coupling Cover (6) in correct position.
- 7) Install the light bulbs (15) as provided (**maximum wattage for each bulb is 4W**).

3. EXTENSION SAFETY CABLE CONNECTION (OPTION)

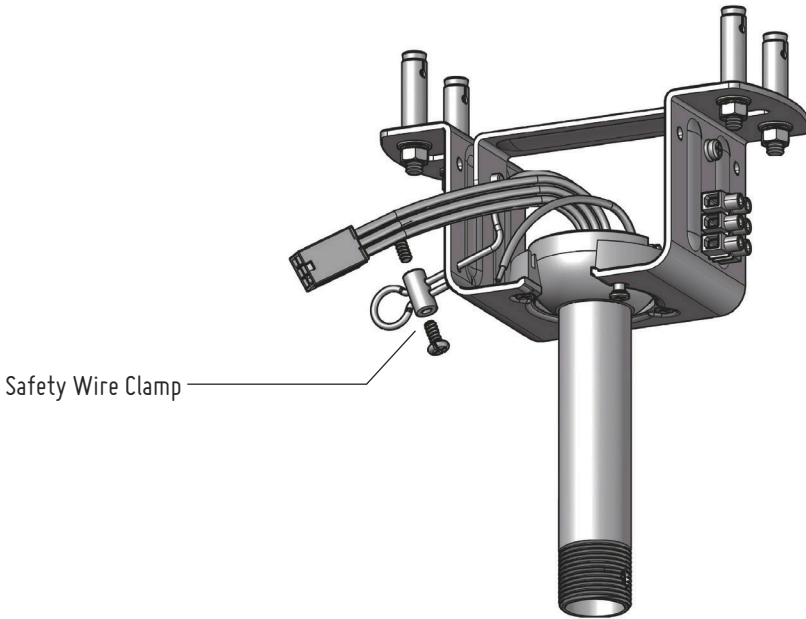
Note: Each new downrod is packed with one new safety cable. One end of which is looped with copper ring and the other one is looped with clamp end.



1. Insert the original safety cable through the crimped end loop of the new safety cable by following the directions as shown in the picture below.
2. Insert the new safety cable through the loop of the original safety cable from the fan by following the directions as shown in the picture below.
3. Pull straight and make both loops cross tightly.



4. WIRING INSTRUCTIONS

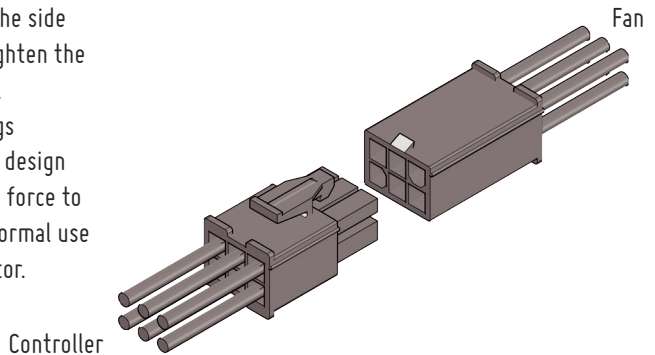


STEP 1

- 1) Raise the fan and place the hanger ball onto mounting bracket.
- 2) Rotate the fan until the notch on hanger ball snapped into the slot on mounting bracket and sits firmly.

NOTE : THE DOWNROD AND HANGER BALL SHOULD NOT ROTATE IF THIS STEP IS DONE CORRECTLY.

- 3) Loosen the safety wire clamp.
- 4) Route the safety wire through the side hole on the mounting bracket, and retighten the safety wire with the safety wire clamp.
- 5) Connect the wire connector plugs correctly. The wire connector plugs have a fool-proof design, please do not force the plug. Otherwise, it may affect the normal use of the light fan or burn the fan motor.

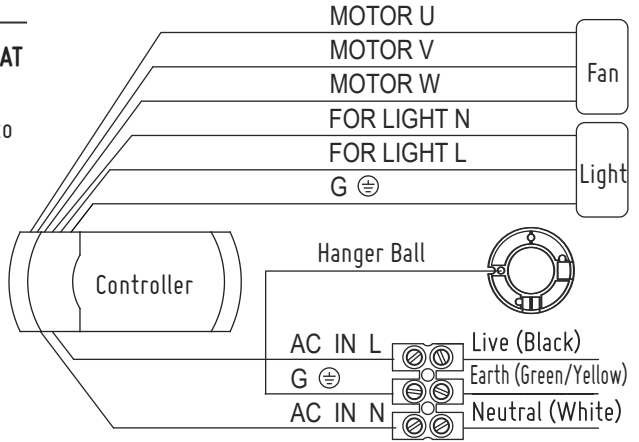


STEP 2

SWITCH OFF THE ELECTRICAL MAINS AT THE CIRCUIT BREAKER FUSE BOX.

1) Connect wires from controller to terminal block properly as instruction diagram.

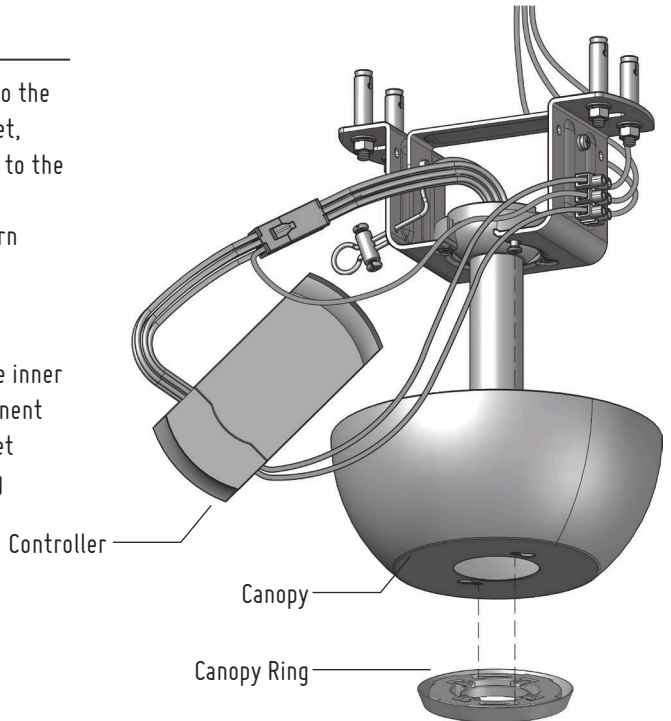
2) Insert the controller into the space of the mounting bracket, and tidy up the wiring.



STEP 3

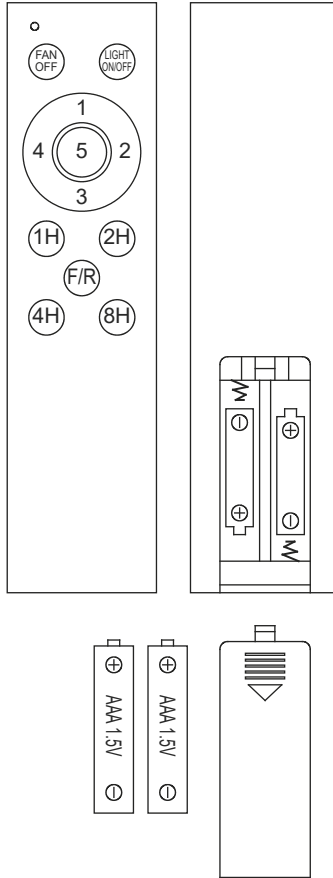
1) Carefully push the canopy to the bottom of the mounting bracket, make two sliding holes aligned to the two prominent screws on the mounting bracket, and then turn clockwise until tight.

2) Push the canopy ring to the bottom of the canopy, slide the inner holes aligned to the two prominent screws on the mounting bracket again, and turn the canopy ring clockwise until tight.



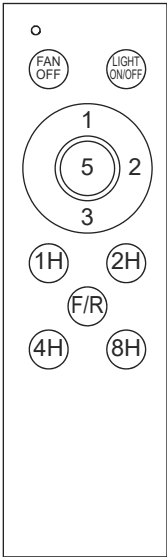
5. REMOTE CONTROL

Load the battery into the transmitter, turn on the fan power supply and use it properly.



ATTENTION

- 1) If the fan is not responding to the transmitter. Turn off the power supply to fan for 30 sec and hold down "FAN OFF" the controller detects the signal and completes the setting, . The controller will issue "beep" sound two times, and the transmitter will be set successfully.
- 2) If the transmitter is out of control, check that there is no similar product interference nearby, or check whether battery of the transmitter is too low or if the battery is in reverse direction.
- 3) If long time not to use the transmitter, please take the battery out.



FAN SPEED Fan speed 1 – 5 control (1-low speed, 5-high speed)

FAN OFF Turns off the fan

Timing the fan

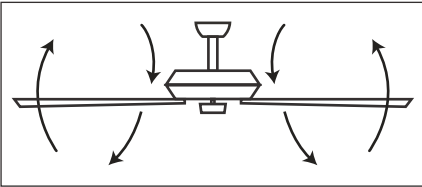
1H Auto off after 1 hr **4H** Auto off after 4 hr

2H Auto off after 2 hr **8H** Auto off after 8 hr

Press the **FAN OFF** key or press the same time key to cancel the timer function.
 (Note: if the fan is not working, if the lights are on, the lights can not be set and shut down regularly)

F/R Forward or reverse operation: change fan rotating direction.

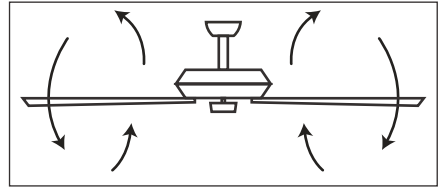
LIGHT ON/OFF Lamp on-off control



Forward

Fan rotates anti-clockwise creating a downward airflow delivering a cooling effect.

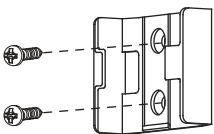
Suitable for hot weather condition or air-conditioned condition.



Reverse

Fan rotates clockwise creating an upward airflow moving warm air off the ceiling areas. This function works best at lower fan speed.

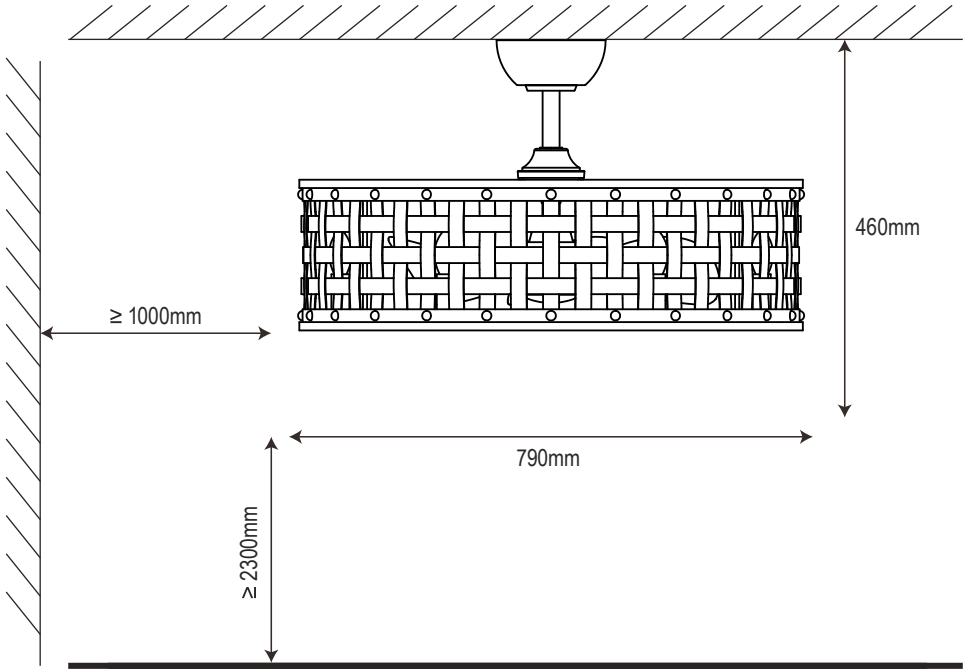
Suitable for cold weather or air-conditioned condition.



Installing Transmitter Holder

Install the transmitter holder to the wall or any flat surface with the two mounting screw provided.

6. TECHNICAL SPECIFICATIONS



Model	No. of blades	Fan width	Light bulb	Voltage
NOVA	3	790mm	6x4W LED	220-240V~ 50Hz

Speed	Amps	Wattage	RPM	CFM	Nett weight	Gross weight
1	0.051	2.4	135	1000	14.2 kg	17.3 kg
2	0.075	4.5	185	1350		
3	0.119	8.2	235	1750		
4	0.190	14.1	285	2150		
5	0.327	27.3	330	2600		

Specifications & measurements shown are subject to $\pm 5\%$ variations.

7. MAINTENANCE

Due to the fan's natural movement, connections may get loose after a period of usage. To ensure a proper and safety usage, inspect the suspension system and tighten all connections every 6 months.

Cleaning

Cleaning your fan periodically will prolong its useful life. Basic cleaning procedures are as follows:

1. Please shut off the power before you clean the light fan and replace the bulbs.
2. The bulbs and nearby parts will be still hot after the power is shut off. To avoid burn, please clean them after they are cooled down.
3. Don't use sandpaper, wire brush and other sharp tools to clean the light fan.
4. Don't clean the light fan by using detergents, acid or alkaline solvents.
5. Use only soft or lint-free cloth to clean the light fan.
6. Please dry the light fan by cold-blast air after cleaning, in order to prevent dangerous leakage caused by water infiltrated into electriferous parts of the light fan or prevent rust of wet metal parts.
7. There is no need to oil the fan.