

# Model : AURORA #98800

## Spec.Description

### 1 Product Warranty



Crystal Clear - Silver

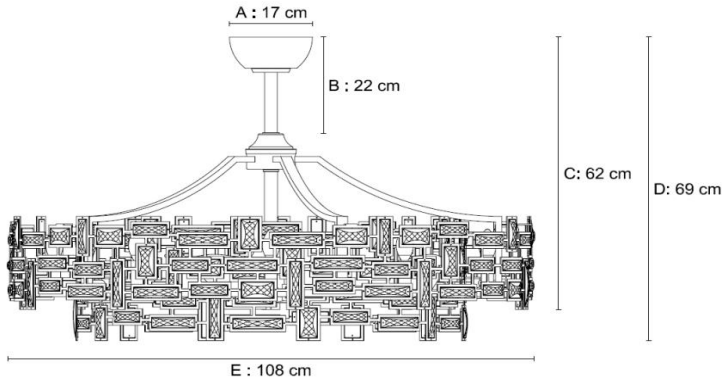


### 2 Feature

Model	Motor Type	Body Material	Body Color	Blades	Blades Material / Color	Fan Sweep (Diameter)	Control Mode	Lighting
AURORA Size : Ø1080x690H	DC	Steel	Nickle	3	ABS-Silver	28"/71cm.	Remote Control 5 Speed	E14 LED 4W*10
+ Stainless Steel								
+ Crystal		Crystal Clear						

### 3 Fan Dimension

\*\*\*Bulbs not included\*\*\*



Unit : CM.				
A	B	C	D	E
17	22	62	69	108

### 4 Power Consumption & Efficiency

Speed	Current (A)	Wattage (W)	Motor Speed (RPM)	Air Flow (CFM)	Efficiency (CFM/W)
1	0.060	2.9	100	1350	466
2	0.081	7.5	130	1800	240
3	0.161	11.1	160	2300	207
4	0.212	18.5	195	2600	141
5	0.285	23	220	2950	128

### 5 Weight/Size (Carton Box)

Gross Weight (Kgs.)	Net Weight (Kgs.)	Size LxWxH (Cm.)	CU.FT	CU.M
30	22	117 x 117 x 52.5	25.38	0.72